



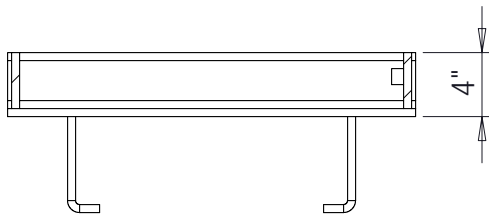
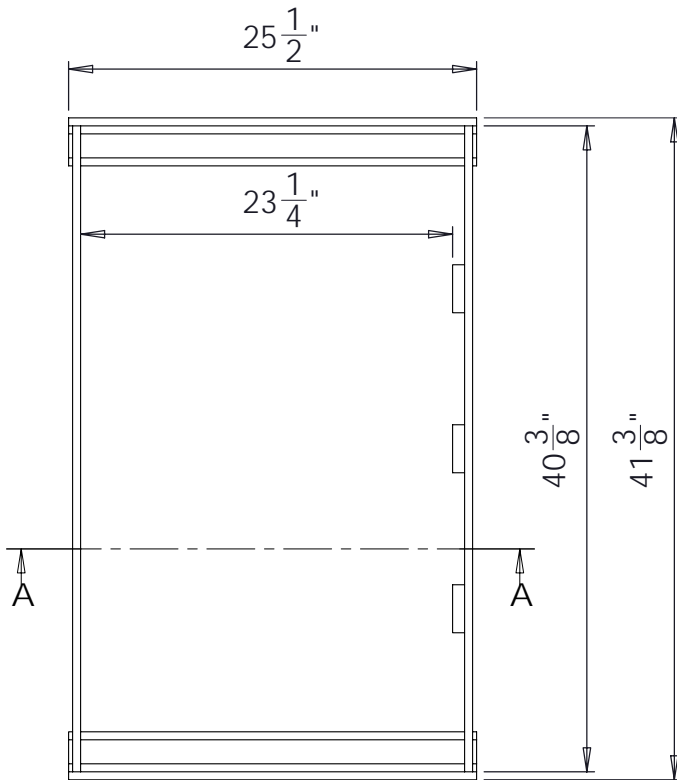
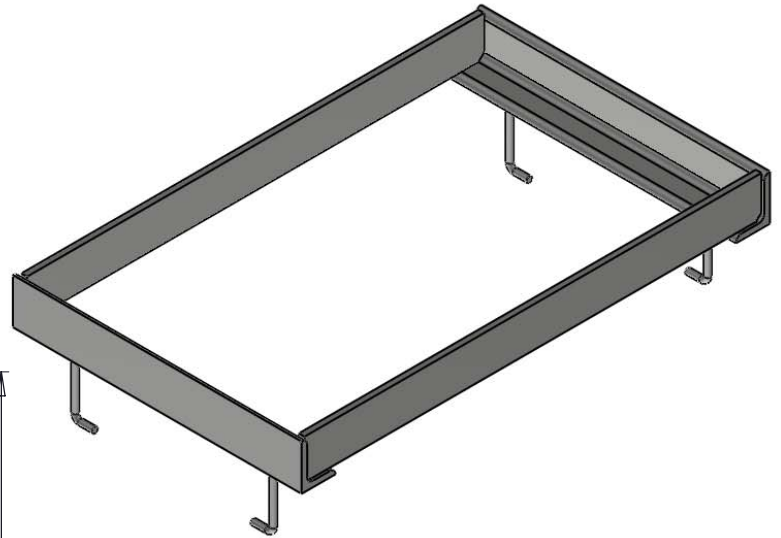
# South Bay Foundry

WWW.SOUTHBAYFOUNDRY.COM

PHONE: (619) 956-2780 FAX: (619) 956-2788

## E1326G

RIVERSIDE STD 305 FRAME  
WITH SPACER BLOCKS  
35-3/8"x23-1/4" CO



SECTION A-A

### GENERAL INFORMATION

- \*MATERIAL: STEEL ASTM A36
- \*FINISH: HOT DIP GALVANIZED ASTM A123

### APPROVED

BY:

TITLE:

AGENCY:

DATE:

5/7/2012